

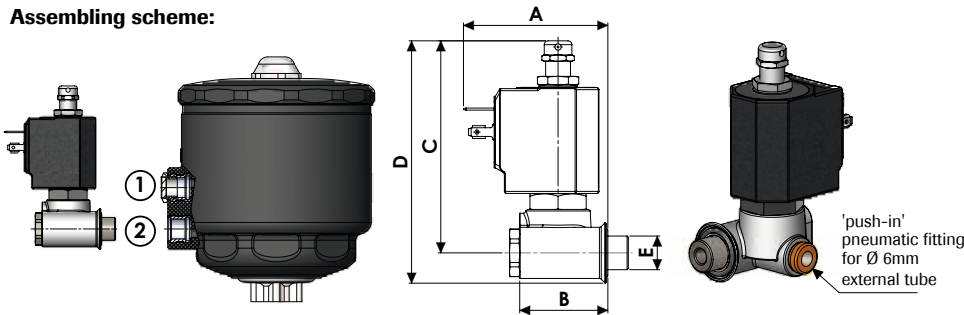
COMMON FEATURES

- Media: water, inert gases, air
- Media temperature: $-10^{\circ}\text{C} \div +60^{\circ}\text{C}$
- Ambient temperature: $-10^{\circ}\text{C} \div +60^{\circ}\text{C}$
- Body material: brass (CW617N EN 12165) with electroless nickel plating treatment
- Operator material: stainless steel
- Seal material: foodgrade FKM
- Protection class: IP 65 (with connector and gasket)

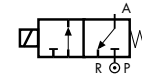
BENEFITS

- Expressly designed to pilot M&M Piston Actuated Valves
- Valve rotation 360° around port

Assembling scheme:



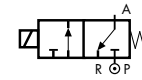
TYPE: B356/B326



Normally Closed



TYPE: D326



Normally Closed



DIMENSIONS & WEIGHTS		B356	B326	D326
connection	'push-in'			
A	[mm]	48	51	56.5
B	[mm]	31	34	34
C	[mm]	67	67	83
D	[mm]	77	79	95
E	[mm]	1/8" G	1/4" G	1/4" G
weight	[kg]	0.25	0.25	0.30

Screw the pilot valve bolt into the inlet port of the piston valve actuator using a maximum torque level of 5 Nm:

- into hole ① for **NORMALLY OPEN VALVES** (RPG/RCG)
- into hole ② for **NORMALLY CLOSED VALVES** (PG-BPG/CG-BCG)

VALVE	DN	flow rate Kvs	OPD		
			min.	max. AC	max. DC
code	[mm]	[l/min]	[barg]	[barg]	[barg]
B356CVCMK	1.5	0.7	0	10	10

COILS	
code	[Volts/Hz]
2250	24v DC
2200	24v 50/60Hz
2400	110v 50Hz - 120v 60Hz
2600	200v 50Hz - 220v 60Hz
2700	230v 50Hz - 240v 60Hz

B356 - FKM seal, for actuator size Ø 45

Connection: to DIN 46244
 Coil power: AC 10va (holding)
 AC 16va (inrush)
 DC 7w

OPTIONS

UL approved coils (e.g. code 225R)
 DIN connector code 600 001 00-

VALVE	DN	flow rate Kvs	OPD		
			min.	max. AC	max. DC
code	[mm]	[l/min]	[barg]	[barg]	[barg]
B326CVCMK	1.5	0.7	0	10	10

COILS	
code	[Volts/Hz]
2250	24v DC
2200	24v 50/60Hz
2400	110v 50Hz - 120v 60Hz
2600	200v 50Hz - 220v 60Hz
2700	230v 50Hz - 240v 60Hz

B326 - FKM seal, for actuator size Ø 63

Connection: to DIN 46244
 Coil power: AC 10va (holding)
 AC 16va (inrush)
 DC 7w

OPTIONS

UL approved coils (e.g. code 240R)
 DIN connector code 600 001 00-

VALVE	DN	flow rate Kvs	OPD		
			min.	max. AC	max. DC
code	[mm]	[l/min]	[barg]	[barg]	[barg]
D326CVCMK	2.0	1.3	0	10	10

COILS	
code	[Volts/Hz]
7250	24v DC
7200	24v 50/60Hz
7400	110v 50Hz - 120v 60Hz
7600	200v 50Hz - 220v 60Hz
7700	230v 50Hz - 240v 60Hz

D326 - FKM seal, for actuator size Ø 90

Connection: to DIN EN 175301-803 form A (ex DIN 43650-A)
 Coil power: AC 25va (holding)
 AC 50va (inrush)
 DC 22w

OPTIONS

UL approved coils (e.g. code 725R)
 DIN connector code 600 011 00-