



2/2 WAY DIRECT ACTING "DRY ARMATURE" SOLENOID VALVE

COMMON FEATURES

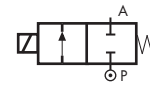
- Media: water and beverages
- Media temperature: -10°C ÷ +95°C
- Ambient temperature: -10°C ÷ +50°C
- Body material: Natural Polysulphone FDA compliant (PSU)
- Nominal diameter: 9 mm
- Operator material: stainless steel
- Seal material: silicone FDA compliant
- Protection class: IP 65 (with connector and gasket)
- Flow regulation screw as standard

NOTES

TOTAL SEPARATION BETWEEN INTERNAL PARTS AND MEDIUM

Flat gasket included (see drawing)

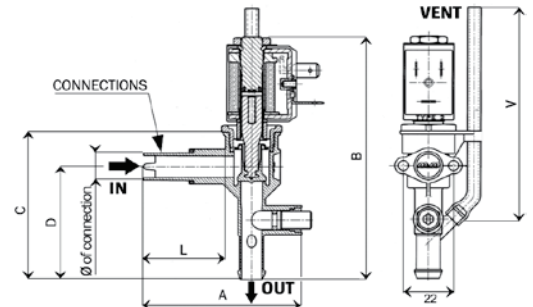
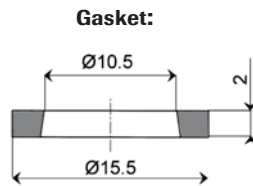
TYPE: WB251 [Ⓞ]



Normally Closed

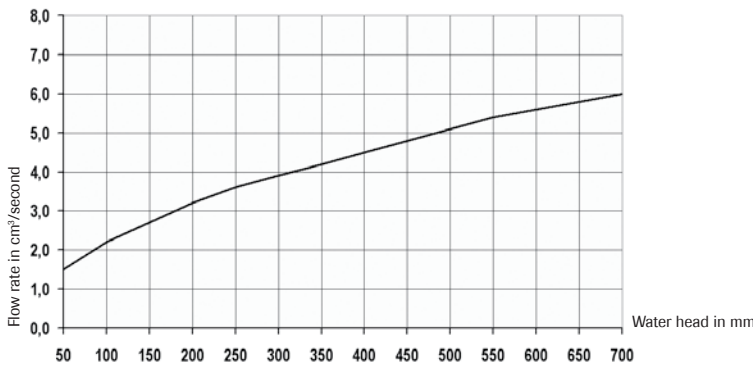


DIMENSIONS & WEIGHTS		WB251DSS	WB251DSS1
A	[mm]	70	70
B	[mm]	108	108
C	[mm]	65.5	65.5
D	[mm]	50.2	50.2
V	[mm]	95	235
weight	[kg]	0.175	0.175



[Ⓞ] Product subject to phase-out, please contact M&M Sales Department for availability

FLOW RATE CHART



VALVE	type of connection	OPD			COIL	
		min. [barg]	max. AC [barg]	max. DC [barg]	code	[Volts/Hz]
code	[mm]	[barg]	[barg]	[barg]	code	[Volts/Hz]
WB251DSS	Ø 12 x L=35	0	0.07	0.05	22V0	24v DC
WB251DSS1	Ø 12 x L=35	0	0.07	0.05	2200	24v 50/60Hz
					2400	110v 50Hz - 120v 60Hz
					2600	200v 50Hz - 220v 60Hz
					2700	230v 50Hz - 240v 60Hz

WB251 - Silicone FDA seal, NC -

Coil power: AC 10v_A (holding)
AC 16v_A (inrush)
DC 10w

