

TECHNICAL SPECIFICATIONS

- Media: water, oil, air
- Media temperature: -10°C ÷ +90°C
- Ambient temperature: -10°C ÷ +50°C
- Body material: brass (CW617N EN 12165)
- Operator material: stainless steel tube, brass plunger
- Operator seal and diaphragm material: NBR
- Coil power: DC 3w
- Absorption (20°C): 500mA for **20Q0**
250mA for **21Q0**
125mA for **22Q0**
- Protection class: IP 65 (with connector and gasket)

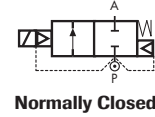
OPTIONS

- FKM seal, temperature max. 130°C (e.g. code LC205DVZ)
- EPDM seal, temperature max. 120°C (e.g. code LC203DEZ)

NOTES

- Special operator with reduced stroke for low power coils

TYPE: LC203÷LC205

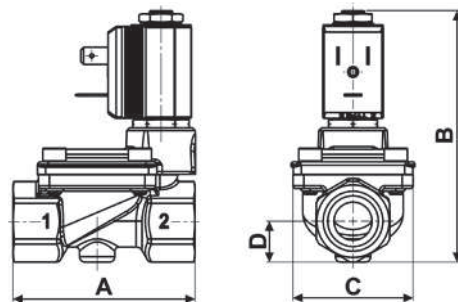


SELECTION TABLE

VALVE	nominal Ø	flow rate Kvs	OPD			COILS	
			min.	max. AC	max. DC	low power only	
code	[mm]	[l/min]	[barg]	[barg]	[barg]	code	[Volts/Hz]
LC203DBZ	13	26	0.3	—	5	20Q0	6v DC
LC204DBZ	13	55	0.3	—	5	21Q0	12v DC
LC205DBZ	13	63	0.3	—	5	22Q0	24v DC

We reserve the right to make changes without notice

DIMENSIONS & WEIGHTS		LC203	LC204	LC205
G connection	[ISO 228]	1/4"	3/8"	1/2"
A	[mm]	67	67	67
B	[mm]	90	90	90
C	[mm]	45.6	45.6	45.6
D	[mm]	15	15	15
weight	[kg]	0.4	0.4	0.4



Flow direction overseat 1 → 2