

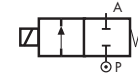
## TECHNICAL SPECIFICATIONS

- Media** ①: water, air, neutral gases
- Media temperature:** -10°C ÷ +130°C
- Ambient temperature:** -10°C ÷ +50°C
- Body material:** brass (CW719R EN 12165) low lead content
- Orifice material:** stainless steel (1.4305 EN 10088/AISI 303)
- Operator material:** stainless steel tube, brass plunger
- Seal material:** foodgrade FKM
- Coil power:** DC 3w
- Protection class:** IP 65 (with connector and gasket)

## NOTES

- ① Valve suitable for contact with food media as per the EEC Directives and Regulations. For more specific information, please contact M&M Sales Department.
- Special operator with reduced stroke for low power coils.

## TYPE: LC297



Normally Closed



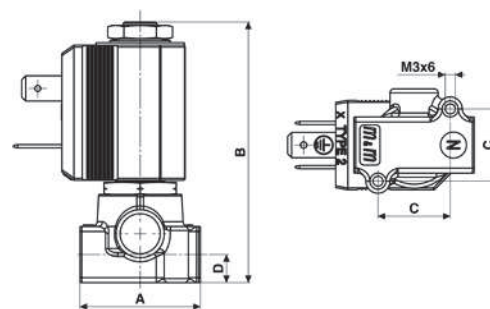
## SELECTION TABLE

VALVE	nominal Ø	flow rate Kvs	OPD		
			min.	max. AC	max. DC
code	[mm]	[l/min]	[barg]	[barg]	[barg]
<b>LC297DVA</b>	1.0	0.5	0	–	18
<b>LC297DVB</b>	1.2	0.7	0	–	14
<b>LC297DVC</b>	1.5	1.0	0	–	6
<b>LC297DVE</b>	2.0	1.7	0	–	4
<b>LC297DVG</b>	2.5	2.3	0	–	1.5

COILS low power only	
code	[Volts/Hz]
20Q0	6v DC
21Q0	12v DC
22Q0	24v DC

We reserve the right to make changes without notice

DIMENSIONS & WEIGHTS		LC297
<b>G connection</b>	[ISO 228]	1/8"
<b>A</b>	[mm]	30
<b>B</b>	[mm]	65
<b>C</b>	[mm]	18
<b>D</b>	[mm]	7
<b>weight</b>	[kg]	0.15



Flow direction overseat 1 → 2