

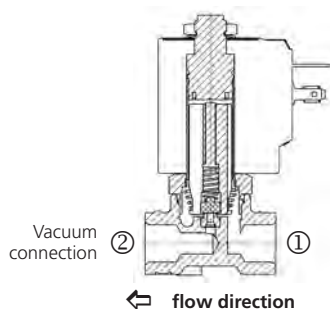
The following solenoid valves are also available with a configuration suitable for vacuum (the general technical features are listed on the individual single pages of solenoid valves):

- D262/D263 ⇒ see page 10
- D237/238/239 ⇒ see page 13
- C D237/238/239 ⇒ see page 13
- D362/D363 ⇒ see page 21
- D187÷293 ⇒ see page 25
- D223÷225 ⇒ see page 28
- D203÷D222 ⇒ individual datasheet on request

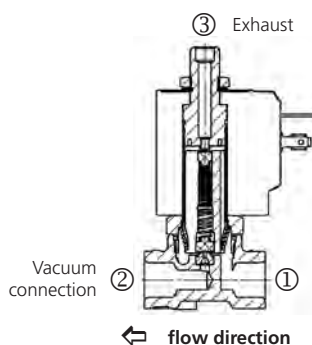


CONNECTION SCHEME ACCORDING TO VALVE TYPES:

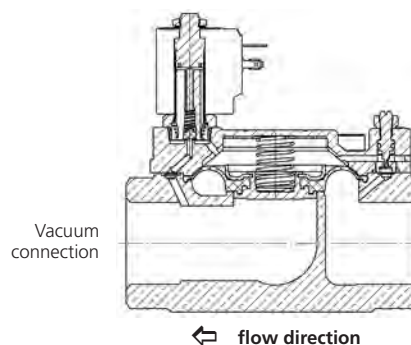
2/2 way - NC direct acting



3/2 way - NC direct acting



2/2 way - NC pilot operated or assisted lift



VALVE	nominal Ø	flow rate Kvs	OPD			COILS	
			min.	max. AC	max. DC	code	[Volts/Hz]
code	[mm]	[l/min]	[barg]	[barg]	[barg]	code	[Volts/Hz]
D189DBWL	15	50	0	-0.95	-0.95	7250	24v DC
D190DBWL	15	80	0	-0.95	-0.95	7200	24v 50/60Hz
D203DBZL	13	26	-0.2	-0.95	-0.95	7400	110v 50Hz - 120v 60Hz
D205DBZL	13	63	-0.2	-0.95	-0.95	7600	200v 50Hz - 220v 60Hz
D205DEZL	13	63	-0.2	-0.95	-0.95	7700	230v 50Hz - 240v 60Hz
D225DBJL	50	540	-0.5	-0.95	-0.95		
D263DBPL	6	8	-0.9	1	1		
D362CVGL	2.5	3.4	0	-0.95	-0.95		
D363CVGL	2.5	3.4	0	-0.95	-0.95		
D363CVHL	3	4.5	0	-0.95	-0.95		

Various part numbers

Coil power: AC 18va (holding)
AC 36va (inrush)
DC 14w

OPTIONS

Class 'H' insulation coils (e.g. code 7701)

VALVE	nominal Ø	flow rate Kvs	OPD			COILS	
			min.	max. AC	max. DC	code	[Volts/Hz]
code	[mm]	[l/min]	[barg]	[barg]	[barg]	code	[Volts/Hz]
D237DBU1	10.5	21	0	-0.95	—	72K1	24v 50/60Hz
D238DBU1	10.5	24	0	-0.95	—	74K1	110v 50Hz - 120v 60Hz
D239DBU1	10.5	25	0	-0.95	—	77K1	230v 50Hz - 240v 60Hz

D237 ÷ 239DBU1 - NBR seal, AC -

Seal material: NBR 60 shore
Coil power: AC 25va (holding)
AC 50va (inrush)

NOTES

Minimum batch may be required

VALVE	nominal Ø	flow rate Kvs	OPD			COILS	
			min.	max. AC	max. DC	code	[Volts/Hz]
code	[mm]	[l/min]	[barg]	[barg]	[barg]	code	[Volts/Hz]
C D237DBU1	10.5	21	0	—	-0.95	72Z1	24v DC
C D238DBU1	10.5	24	0	—	-0.95		
C D239DBU1	10.5	25	0	—	-0.95		

C D237 ÷ 239DBU1 - NBR seal, DC -

Seal material: NBR 60 shore
Coil power: DC 22w

NOTES

Minimum batch may be required