

## TECHNICAL SPECIFICATIONS

Media: water, oil, air, steam<sup>①</sup>

Media temperature: -10°C ÷ +180°C

Ambient temperature: -10°C ÷ +60°C

Pilot media<sup>②</sup>: instrument air, inert gases

Body material: bronze (CB491K EN1982)

Bonnet material: brass (CW617N EN12165)

Actuator body material: Polyamide PA6 (reinforced fiberglass 30%)

Seal material: PTFE

Position indicator as standard

## BENEFITS

Waterhammer-free design for **BCG** - **DCG** (with flow direction 2→1)

Actuator housing rotation 360°

## OPTIONS

Stroke regulator assembled ex-factory, see TIS \*1801\* (e.g. code CG205STWR0)

Travel switch assembled ex-factory, see TIS \*1801\* (e.g. code RCG209STK10)

**NPT** connection (e.g. code BCN207LTY00)

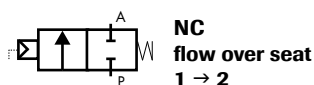
Design for vacuum applications up to 10<sup>-2</sup> mbar (e.g. code DCG210STJ0V)

## ACCESSORIES

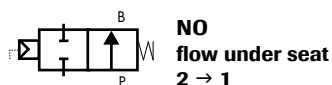
Position module (see TIS \*1806\*), travel switch kit (see TIS \*1802\*), pilot solenoid valves (see TIS \*0714\*)



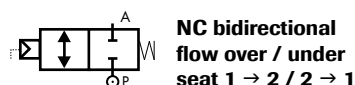
### TYPE: CG



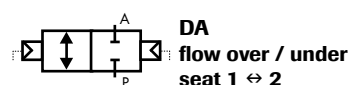
### TYPE: RCG



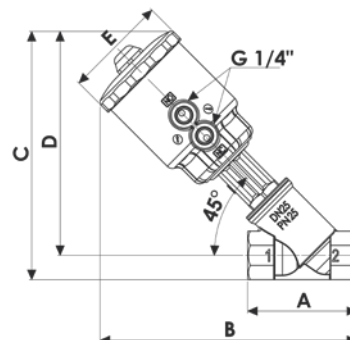
### TYPE: BCG



### TYPE: DCG



| DIMENSIONS & WEIGHTS |      | DN15 | DN20 | DN25 | DN32 | DN40 | DN50 | DN25 | DN32 | DN40 | DN50 |
|----------------------|------|------|------|------|------|------|------|------|------|------|------|
| <b>actuator</b>      | [mm] | Ø 63 |      |      |      |      |      | Ø 90 |      |      |      |
| <b>A</b>             | [mm] | 65   | 75   | 90   | 110  | 120  | 150  | 90   | 110  | 120  | 150  |
| <b>B</b>             | [mm] | 192  | 198  | 212  | 225  | 230  | 248  | 223  | 234  | 239  | 257  |
| <b>C</b>             | [mm] | 184  | 192  | 205  | 217  | 225  | 241  | 216  | 227  | 235  | 250  |
| <b>D</b>             | [mm] | 171  | 176  | 185  | 193  | 198  | 207  | 196  | 202  | 207  | 216  |
| <b>E</b>             | [mm] | 85   | 85   | 85   | 85   | 85   | 85   | 112  | 112  | 112  | 112  |
| <b>weight</b>        | [kg] | 1.2  | 1.3  | 1.5  | 1.9  | 2.1  | 2.9  | 2.0  | 2.4  | 2.6  | 3.3  |



The products listed below comply with the requirements of the European Pressure Equipment Directive 97/23/EC and carry the CE mark when required. The products fall within the following Pressure Equipment Directive categories:

| VALVE TYPE                  | Bodies             | Group 1 gases | Group 1 liquids and Group 2 other fluids |
|-----------------------------|--------------------|---------------|--|
| <b>CG - RCG - BCG - DCG</b> | DN15 ÷ DN25 (PN25) | SEP           | SEP                                      |
|                             | DN32 ÷ DN40 (PN25) | not suitable  | SEP                                      |
|                             | DN50 (PN16)        | not suitable  | SEP                                      |

## WARNING !

According to the European Pressure Equipment Directive 97/23/EC, liquids whose saturated vapour pressure at the maximum allowable temperature is more than 0,5 barg shall be considered as gases.

## 2/2 WAY PISTON ACTUATED VALVE G 1/2" ÷ 2", REGULAR VERSION - BRONZE

| VALVE             | body connection | DN   | flow rate Kvs | working pressure ① |        | flow direction | pilot pressure ② |        | actuator Ø | function  |
|-------------------|-----------------|------|---------------|--------------------|--------|----------------|------------------|--------|------------|-----------|
|                   |                 |      |               | min.               | max.   |                | min.             | max.   |            |           |
| code              | [ISO 228G]      | [mm] | [l/min]       | [barg]             | [barg] | –              | [barg]           | [barg] | [mm]       | –         |
| <b>CG205STW00</b> | 1/2"            | 15   | 87            | 0                  | 20     | 1 → 2          | 3.7              | 10     | 63         | <b>NC</b> |
| <b>CG206STX00</b> | 3/4"            | 20   | 164           | 0                  | 20     | 1 → 2          | 4.4              | 10     |            |           |
| <b>CG207STY00</b> | 1"              | 25   | 260           | 0                  | 20     | 1 → 2          | 5                | 10     |            |           |
| <b>CG208STZ00</b> | 1 1/4"          | 32   | 410           | 0                  | 16     | 1 → 2          | 5.9              | 10     |            |           |
| <b>CG209STK00</b> | 1 1/2"          | 40   | 700           | 0                  | 16     | 1 → 2          | 9                | 10     |            |           |
| <b>CG210STJ00</b> | 2"              | 50   | 950           | 0                  | 11     | 1 → 2          | 8                | 10     |            |           |
| <b>CG207LTY00</b> | 1"              | 25   | 260           | 0                  | 20     | 1 → 2          | 2                | 8      | 90         |           |
| <b>CG208LTZ00</b> | 1 1/4"          | 32   | 410           | 0                  | 16     | 1 → 2          | 3.5              | 8      |            |           |
| <b>CG209LTK00</b> | 1 1/2"          | 40   | 700           | 0                  | 16     | 1 → 2          | 4                | 8      |            |           |
| <b>CG210LTJ00</b> | 2"              | 50   | 950           | 0                  | 15     | 1 → 2          | 6.5              | 8      |            |           |

|                    |        |    |     |   |    |       |     |    |    |           |
|--------------------|--------|----|-----|---|----|-------|-----|----|----|-----------|
| <b>RCG205STW00</b> | 1/2"   | 15 | 87  | 0 | 16 | 2 → 1 | 2.5 | 10 | 63 | <b>NO</b> |
| <b>RCG206STX00</b> | 3/4"   | 20 | 164 | 0 | 16 | 2 → 1 | 4.3 | 10 |    |           |
| <b>RCG207STY00</b> | 1"     | 25 | 260 | 0 | 16 | 2 → 1 | 5.5 | 10 |    |           |
| <b>RCG208STZ00</b> | 1 1/4" | 32 | 410 | 0 | 16 | 2 → 1 | 6.5 | 10 |    |           |
| <b>RCG209STK00</b> | 1 1/2" | 40 | 700 | 0 | 16 | 2 → 1 | 9   | 10 |    |           |
| <b>RCG210STJ00</b> | 2"     | 50 | 950 | 0 | 12 | 2 → 1 | 9.4 | 10 |    |           |
| <b>RCG207LTY00</b> | 1"     | 25 | 260 | 0 | 16 | 2 → 1 | 2   | 8  | 90 |           |
| <b>RCG208LTZ00</b> | 1 1/4" | 32 | 410 | 0 | 16 | 2 → 1 | 4   | 8  |    |           |
| <b>RCG209LTK00</b> | 1 1/2" | 40 | 700 | 0 | 16 | 2 → 1 | 5   | 8  |    |           |
| <b>RCG210LTJ00</b> | 2"     | 50 | 950 | 0 | 16 | 2 → 1 | 7   | 8  |    |           |

|                    |        |    |     |   |         |               |           |    |    |                         |
|--------------------|--------|----|-----|---|---------|---------------|-----------|----|----|-------------------------|
| <b>BCG205STW00</b> | 1/2"   | 15 | 87  | 0 | 16      | 1 → 2 / 2 → 1 | 5.5 / 3.8 | 10 | 63 | <b>NC bidirectional</b> |
| <b>BCG206STX00</b> | 3/4"   | 20 | 164 | 0 | 16      | 1 → 2 / 2 → 1 | 6 / 3.8   | 10 |    |                         |
| <b>BCG207STY00</b> | 1"     | 25 | 260 | 0 | 16 / 11 | 1 → 2 / 2 → 1 | 6.5 / 3.8 | 10 |    |                         |
| <b>BCG208STZ00</b> | 1 1/4" | 32 | 410 | 0 | 16 / 6  | 1 → 2 / 2 → 1 | 6.8 / 3.8 | 10 |    |                         |
| <b>BCG209STK00</b> | 1 1/2" | 40 | 700 | 0 | 12 / 4  | 1 → 2 / 2 → 1 | 9 / 3.8   | 10 |    |                         |
| <b>BCG210STJ00</b> | 2"     | 50 | 950 | 0 | 8 / 2.5 | 1 → 2 / 2 → 1 | 9 / 3.8   | 10 |    |                         |
| <b>BCG207LTY00</b> | 1"     | 25 | 260 | 0 | 16 / 14 | 1 → 2 / 2 → 1 | 4 / 3.3   | 8  | 90 |                         |
| <b>BCG208LTZ00</b> | 1 1/4" | 32 | 410 | 0 | 16 / 12 | 1 → 2 / 2 → 1 | 5 / 3.3   | 8  |    |                         |
| <b>BCG209LTK00</b> | 1 1/2" | 40 | 700 | 0 | 16 / 8  | 1 → 2 / 2 → 1 | 6 / 3.3   | 8  |    |                         |
| <b>BCG210LTJ00</b> | 2"     | 50 | 950 | 0 | 14 / 6  | 1 → 2 / 2 → 1 | 8 / 3.3   | 8  |    |                         |

|                    |        |    |     |   |    |       |     |     |    |           |
|--------------------|--------|----|-----|---|----|-------|-----|-----|----|-----------|
| <b>DCG205STW00</b> | 1/2"   | 15 | 87  | 0 | 16 | 1 ↔ 2 | 1.8 | 2   | 63 | <b>DA</b> |
| <b>DCG206STX00</b> | 3/4"   | 20 | 164 | 0 | 16 | 1 ↔ 2 | 2   | 3.8 |    |           |
| <b>DCG207STY00</b> | 1"     | 25 | 260 | 0 | 16 | 1 ↔ 2 | 3   | 5   |    |           |
| <b>DCG208STZ00</b> | 1 1/4" | 32 | 410 | 0 | 16 | 1 ↔ 2 | 4.5 | 6   |    |           |
| <b>DCG209STK00</b> | 1 1/2" | 40 | 700 | 0 | 16 | 1 ↔ 2 | 6.5 | 7   |    |           |
| <b>DCG210STJ00</b> | 2"     | 50 | 950 | 0 | 12 | 1 ↔ 2 | 9   | 10  |    |           |

### NOTES

- ① Steam max. working pressure 10 bar (9 barg)
- ② Please contact M&M sales Department for other pilot media
- ③ Minimum pilot pressure at the max. working pressure: for lower working pressures please refer to the COMPARATIVE CHARTS