

TECHNICAL SPECIFICATIONS

Media: water, oil, air, aggressive media, steam^①

Media temperature: -10°C ÷ +180°C

Ambient temperature: -10°C ÷ +60°C

Pilot media^②: instrument air, inert gases

Body material: cast AISI 316L (CF3M), see Piston Actuated Valves Catalogue

Butt weld connection to **DIN 11850-2** pipe or **ISO 65/ANSI B 36.10** pipe

Bonnet material: cast AISI 316L (CF3M), see Piston Actuated Valves Catalogue

Actuator body material: Polyamide PA6 (reinforced fiberglass 30%)

Seal material: PTFE

Position indicator as standard

BENEFITS

Waterhammer-free design for **BPW - BPB** (with flow direction 2 → 1)

Actuator housing rotation 360°

Design suitable for vacuum applications up to 10⁻² mbar

OPTIONS

Stroke regulator assembled ex-factory, see TIS *1801* (e.g. code RPW210STJR0)

Travel switch assembled ex-factory, see TIS *1801* (e.g. code PB208STZ10)

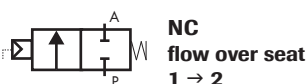
High temperature version, see TIS *6024* (e.g. code BPW207LTY0H)

ACCESSORIES

Position module see TIS *1806*, travel switch kit see TIS *1802*, pilot solenoid valves see TIS *0714*



TYPE: PW / PB



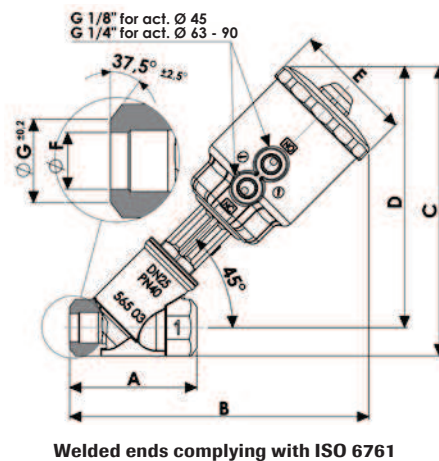
TYPE: RPW / RPB



TYPE: BPW / BPB



| DIMENSIONS & WEIGHTS | | DN15 | DN20 | DN15 | DN20 | DN25 | DN32 | DN40 | DN50 | DN25 | DN32 | DN40 | DN50 |
|---------------------------------|------|------|------|------|------|------|------|------|------|------|------|------|------|
| actuator | [mm] | Ø 45 | | Ø 63 | | | | | | Ø 90 | | | |
| A | [mm] | 65 | 75 | 65 | 75 | 90 | 110 | 120 | 150 | 90 | 110 | 120 | 150 |
| B | [mm] | 144 | 149 | 192 | 198 | 212 | 225 | 230 | 248 | 223 | 234 | 239 | 257 |
| C | [mm] | 136 | 142 | 184 | 192 | 205 | 217 | 225 | 241 | 216 | 227 | 235 | 250 |
| D | [mm] | 123 | 126 | 171 | 176 | 185 | 193 | 198 | 207 | 196 | 202 | 207 | 216 |
| E | [mm] | 57 | 57 | 85 | 85 | 85 | 85 | 85 | 85 | 112 | 112 | 112 | 112 |
| F DIN 11850 | [mm] | 16 | 20 | 16 | 20 | 26 | 32 | 38 | 50 | 26 | 32 | 38 | 50 |
| F ISO 65/ANSI B 36.10 | [mm] | 17.4 | 22.8 | 17.4 | 22.8 | 28.3 | 37.1 | 42.7 | 54.8 | 28.3 | 37.1 | 42.7 | 54.8 |
| G DIN 11850 | [mm] | 19.2 | 23.2 | 19.2 | 23.2 | 29.2 | 36 | 42 | 54 | 29.2 | 36 | 42 | 54 |
| G ISO 65/ANSI B 36.10 | [mm] | 20.6 | 26 | 20.6 | 26 | 31.5 | 41.1 | 46.7 | 58.8 | 31.5 | 41.1 | 46.7 | 58.8 |
| weight | [kg] | 0.8 | 0.9 | 1.2 | 1.3 | 1.5 | 1.9 | 2.1 | 2.9 | 2.0 | 2.4 | 2.6 | 3.3 |



Welded ends complying with ISO 6761

The products listed below comply with the requirements of the European Pressure Equipment Directive 97/23/EC and carry the CE mark when required.

The products fall within the following Pressure Equipment Directive categories:

| VALVE TYPE | Bodies | Group 1 gases | Group 1 liquids and Group 2 other fluids |
|------------------------------------------------|--------------------|---------------|------------------------------------------|
| PW - RPW - BPW PB - RPB - BPB | DN15 ÷ DN25 (PN40) | SEP | SEP |
| | DN32 ÷ DN40 (PN25) | Category I | SEP |
| | DN50 (PN16) | Category I | SEP |

WARNING !

According to the European Pressure Equipment Directive 97/23/EC, liquids whose saturated vapour pressure at the maximum allowable temperature is more than 0,5 barg shall be considered as gases.

NOTES

① Steam max. working pressure 10 bar (9 barg)

② Please contact M&M sales Department for other pilot media

③ Minimum pilot pressure at the max. working pressure: for lower working pressures please refer to the COMPARATIVE CHARTS (for different part numbers: e.g. PW205STW00 please refer to the equivalent part number PG205STW00 for threaded connection)

2/2 WAY PISTON ACTUATED VALVE, BUTT WELD CONNECTION - STAINLESS STEEL

| VALVE | body connection | DN | flow rate Kvs | working pressure ^① | | flow direction | pilot pressure ^② | | actuator Ø | function |
|-------------|---------------------------------------------------------|---------------------------------------------------------|---------------|-------------------------------|---------|----------------|-----------------------------|---------|------------|----------|
| | | | | min. | max. | | min. | max. | | |
| code | – | [mm] | [l/min] | [barg] | [barg] | – | [barg] | [barg] | [mm] | – |
| PW205CTW00 | butt weld to DIN 11850-2 pipe | 15 | 75 | 0 | 16 | 1 → 2 | 3.8 | 10 | 45 | NC |
| PW206CTX00 | | 20 | 133 | 0 | 16 | 1 → 2 | 5.8 | 10 | | |
| PW205STW00 | | 15 | 87 | 0 | 20 | 1 → 2 | 3.7 | 10 | | |
| PW206STX00 | | 20 | 164 | 0 | 20 | 1 → 2 | 4.4 | 10 | 63 | |
| PW207STY00 | | 25 | 260 | 0 | 20 | 1 → 2 | 5 | 10 | | |
| PW208STZ00 | | 32 | 410 | 0 | 16 | 1 → 2 | 5.9 | 10 | | |
| PW209STK00 | | 40 | 700 | 0 | 16 | 1 → 2 | 9 | 10 | 90 | |
| PW210STJ00 | | 50 | 950 | 0 | 11 | 1 → 2 | 8 | 10 | | |
| PW207LTY00 | | 25 | 260 | 0 | 20 | 1 → 2 | 2 | 8 | | |
| PW208LTZ00 | | 32 | 410 | 0 | 16 | 1 → 2 | 3.5 | 8 | | |
| PW209LTK00 | | 40 | 700 | 0 | 16 | 1 → 2 | 4 | 8 | | |
| PW210LTJ00 | | 50 | 950 | 0 | 15 | 1 → 2 | 6.5 | 8 | | |
| RPW205CTW00 | | butt weld to DIN 11850-2 pipe | 15 | 75 | 0 | 16 | 2 → 1 | 4 | 10 | |
| RPW206CTX00 | 20 | | 133 | 0 | 16 | 2 → 1 | 6.2 | 10 | | |
| RPW205STW00 | 15 | | 87 | 0 | 16 | 2 → 1 | 2.5 | 10 | | |
| RPW206STX00 | 20 | | 164 | 0 | 16 | 2 → 1 | 4.3 | 10 | 63 | |
| RPW207STY00 | 25 | | 260 | 0 | 16 | 2 → 1 | 5.5 | 10 | | |
| RPW208STZ00 | 32 | | 410 | 0 | 16 | 2 → 1 | 6.5 | 10 | | |
| RPW209STK00 | 40 | | 700 | 0 | 16 | 2 → 1 | 9 | 10 | 90 | |
| RPW210STJ00 | 50 | | 950 | 0 | 12 | 2 → 1 | 9.4 | 10 | | |
| RPW207LTY00 | 25 | | 260 | 0 | 16 | 2 → 1 | 2 | 8 | | |
| RPW208LTZ00 | 32 | | 410 | 0 | 16 | 2 → 1 | 4 | 8 | | |
| RPW209LTK00 | 40 | | 700 | 0 | 16 | 2 → 1 | 5 | 8 | | |
| RPW210LTJ00 | 50 | | 950 | 0 | 16 | 2 → 1 | 7 | 8 | | |
| BPW205CTW00 | butt weld to DIN 11850-2 pipe | | 15 | 75 | 0 | 16 / 16 | 1 → 2 / 2 → 1 | 6.2 / 5 | 10 | 45 |
| BPW206CTX00 | | 20 | 133 | 0 | 16 / 7 | 1 → 2 / 2 → 1 | 8.7 / 5 | 10 | | |
| BPW205STW00 | | 15 | 87 | 0 | 16 | 1 → 2 / 2 → 1 | 5.5 / 3.8 | 10 | | |
| BPW206STX00 | | 20 | 164 | 0 | 16 | 1 → 2 / 2 → 1 | 6 / 3.8 | 10 | 63 | |
| BPW207STY00 | | 25 | 260 | 0 | 16 / 11 | 1 → 2 / 2 → 1 | 6.5 / 3.8 | 10 | | |
| BPW208STZ00 | | 32 | 410 | 0 | 16 / 6 | 1 → 2 / 2 → 1 | 6.8 / 3.8 | 10 | | |
| BPW209STK00 | | 40 | 700 | 0 | 12 / 4 | 1 → 2 / 2 → 1 | 9 / 3.8 | 10 | 90 | |
| BPW210STJ00 | | 50 | 950 | 0 | 8 / 2.5 | 1 → 2 / 2 → 1 | 9 / 3.8 | 10 | | |
| BPW207LTY00 | | 25 | 260 | 0 | 16 / 14 | 1 → 2 / 2 → 1 | 4 / 3.3 | 8 | | |
| BPW208LTZ00 | | 32 | 410 | 0 | 16 / 12 | 1 → 2 / 2 → 1 | 5 / 3.3 | 8 | | |
| BPW209LTK00 | | 40 | 700 | 0 | 16 / 8 | 1 → 2 / 2 → 1 | 6 / 3.3 | 8 | | |
| BPW210LTJ00 | | 50 | 950 | 0 | 14 / 6 | 1 → 2 / 2 → 1 | 8 / 3.3 | 8 | | |
| PB205CTW00 | | butt weld to ISO 65/ ANSI B 36.10 pipe | 15 | 75 | 0 | 16 | 1 → 2 | 3.8 | 10 | 45 |
| PB206CTX00 | 20 | | 133 | 0 | 16 | 1 → 2 | 5.8 | 10 | | |
| PB205STW00 | 15 | | 87 | 0 | 20 | 1 → 2 | 3.7 | 10 | | |
| PB206STX00 | 20 | | 164 | 0 | 20 | 1 → 2 | 4.4 | 10 | 63 | |
| PB207STY00 | 25 | | 260 | 0 | 20 | 1 → 2 | 5 | 10 | | |
| PB208STZ00 | 32 | | 410 | 0 | 16 | 1 → 2 | 5.9 | 10 | | |
| PB209STK00 | 40 | | 700 | 0 | 16 | 1 → 2 | 9 | 10 | 90 | |
| PB210STJ00 | 50 | | 950 | 0 | 11 | 1 → 2 | 8 | 10 | | |
| PB207LTY00 | 25 | | 260 | 0 | 20 | 1 → 2 | 2 | 8 | | |
| PB208LTZ00 | 32 | | 410 | 0 | 16 | 1 → 2 | 3.5 | 8 | | |
| PB209LTK00 | 40 | | 700 | 0 | 16 | 1 → 2 | 4 | 8 | | |
| PB210LTJ00 | 50 | | 950 | 0 | 15 | 1 → 2 | 6.5 | 8 | | |
| RPB205CTW00 | butt weld to ISO 65/ ANSI B 36.10 pipe | | 15 | 75 | 0 | 16 | 2 → 1 | 4 | 10 | 45 |
| RPB206CTX00 | | 20 | 133 | 0 | 16 | 2 → 1 | 6.2 | 10 | | |
| RPB205STW00 | | 15 | 87 | 0 | 16 | 2 → 1 | 2.5 | 10 | | |
| RPB206STX00 | | 20 | 164 | 0 | 16 | 2 → 1 | 4.3 | 10 | 63 | |
| RPB207STY00 | | 25 | 260 | 0 | 16 | 2 → 1 | 5.5 | 10 | | |
| RPB208STZ00 | | 32 | 410 | 0 | 16 | 2 → 1 | 6.5 | 10 | | |
| RPB209STK00 | | 40 | 700 | 0 | 16 | 2 → 1 | 9 | 10 | 90 | |
| RPB210STJ00 | | 50 | 950 | 0 | 12 | 2 → 1 | 9.4 | 10 | | |
| RPB207LTY00 | | 25 | 260 | 0 | 16 | 2 → 1 | 2 | 8 | | |
| RPB208LTZ00 | | 32 | 410 | 0 | 16 | 2 → 1 | 4 | 8 | | |
| RPB209LTK00 | | 40 | 700 | 0 | 16 | 2 → 1 | 5 | 8 | | |
| RPB210LTJ00 | | 50 | 950 | 0 | 16 | 2 → 1 | 7 | 8 | | |
| BPB205CTW00 | | butt weld to ISO 65/ ANSI B 36.10 pipe | 15 | 75 | 0 | 16 / 16 | 1 → 2 / 2 → 1 | 6.2 / 5 | 10 | 45 |
| BPB206CTX00 | 20 | | 133 | 0 | 16 / 7 | 1 → 2 / 2 → 1 | 8.7 / 5 | 10 | | |
| BPB205STW00 | 15 | | 87 | 0 | 16 | 1 → 2 / 2 → 1 | 5.5 / 3.8 | 10 | | |
| BPB206STX00 | 20 | | 164 | 0 | 16 | 1 → 2 / 2 → 1 | 6 / 3.8 | 10 | 63 | |
| BPB207STY00 | 25 | | 260 | 0 | 16 / 11 | 1 → 2 / 2 → 1 | 6.5 / 3.8 | 10 | | |
| BPB208STZ00 | 32 | | 410 | 0 | 16 / 6 | 1 → 2 / 2 → 1 | 6.8 / 3.8 | 10 | | |
| BPB209STK00 | 40 | | 700 | 0 | 12 / 4 | 1 → 2 / 2 → 1 | 9 / 3.8 | 10 | 90 | |
| BPB210STJ00 | 50 | | 950 | 0 | 8 / 2.5 | 1 → 2 / 2 → 1 | 9 / 3.8 | 10 | | |
| BPB207LTY00 | 25 | | 260 | 0 | 16 / 14 | 1 → 2 / 2 → 1 | 4 / 3.3 | 8 | | |
| BPB208LTZ00 | 32 | | 410 | 0 | 16 / 12 | 1 → 2 / 2 → 1 | 5 / 3.3 | 8 | | |
| BPB209LTK00 | 40 | | 700 | 0 | 16 / 8 | 1 → 2 / 2 → 1 | 6 / 3.3 | 8 | | |
| BPB210LTJ00 | 50 | | 950 | 0 | 14 / 6 | 1 → 2 / 2 → 1 | 8 / 3.3 | 8 | | |