

TECHNICAL SPECIFICATIONS

- Media: water, oil, air, aggressive media, steam^①
- Media temperature: -10°C ÷ +180°C
- Ambient temperature: -10°C ÷ +60°C
- Pilot media^②: instrument air, inert gases
- Body material: cast AISI 316L (CF3M), see Piston Actuated Valves Catalogue
- Clamp end material: AISI 316L
- Clamp connection to **ISO 2852** or **ASME BPE**
- Bonnet material: cast AISI 316L (CF3M), see Piston Actuated Valves Catalogue
- Actuator body material: Polyamide PA6 (reinforced fiberglass 30%)
- Seal material: PTFE
- Position indicator as standard
- Gasket and clamp not included

BENEFITS

- Waterhammer-free design for **BPC - BPP** (with flow direction 2→1)
- Actuator housing rotation 360°
- Design suitable for vacuum applications up to 10⁻² mbar

OPTIONS

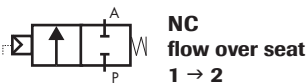
- Stroke regulator assembled ex-factory, see TIS *1801* (e.g. code PC210STJR0)
- Travel switch assembled ex-factory, see TIS *1801* (e.g. code RPC208LTZi0)

ACCESSORIES

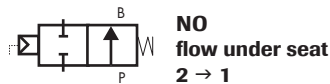
- Position module see TIS *1806*, travel switch kit see TIS *1802*, pilot solenoid valves see TIS *0714*



TYPE: PC / PP



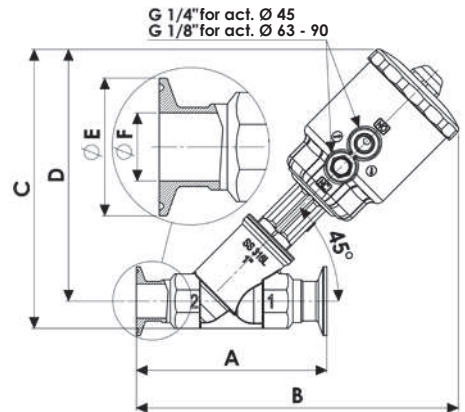
TYPE: RPC / RPP



TYPE: BPC / BPP



DIMENSIONS & WEIGHTS		DN15	DN20	DN15	DN20	DN25	DN32	DN40	DN50	DN25	DN32	DN40	DN50
actuator		Ø 45		Ø 63						Ø 90			
A - ISO	[mm]	102	114	102	114	140	159	159	190	140	159	159	190
A - ASME	[mm]	102	114	102	114	140	-	159	190	140	-	159	190
B - ISO	[mm]	162	167	210	217	231	240	249	267	243	251	260	279
B - ASME	[mm]	162	167	210	217	231	-	249	267	243	-	260	279
C - ISO	[mm]	140	142	187	193	211	218	229	240	222	230	241	251
C - ASME	[mm]	136	138	183	189	211	-	223	240	222	-	235	251
D	[mm]	123	125	170	176	185	192	197	206	196	204	209	217
E - ISO	[mm]	34	34	34	34	50.5	50.5	64	64	50.5	50.5	64	64
E - ASME	[mm]	25	25	25	25	50.5	-	50.5	64	50.5	-	50.5	64
F - ISO	[mm]	17.2	21.3	17.2	21.3	25	33.7	40	51	25	33.7	40	51
F - ASME	[mm]	9.4	15.75	9.4	15.75	22.1	-	34.8	47.5	22.1	-	34.8	47.5
weight - ISO	[kg]	0.9	1.1	1.3	1.5	1.8	2.4	2.8	3.6	2.4	2.8	3.2	4.0
weight - ASME	[kg]	0.9	1.1	1.3	1.5	1.8	-	2.8	3.6	2.4	-	3.2	4.0



The products listed below comply with the requirements of the European Pressure Equipment Directive 97/23/EC and carry the CE mark when required. The products fall within the following Pressure Equipment Directive categories:

VALVE TYPE	Bodies	Group 1 gases	Group 1 liquids and Group 2 other fluids
PC - RPC - BPC PP - RPP - BPP	DN15 ÷ DN50 (PN10)	SEP	SEP

WARNING !

According to the European Pressure Equipment Directive 97/23/EC, liquids whose saturated vapour pressure at the maximum allowable temperature is more than 0,5 barg shall be considered as gases.

NOTES

- ① Steam max. working pressure 10 bar (9 barg)
- ② Please contact M&M sales Department for other pilot media
- ③ Minimum pilot pressure at the max. working pressure: for lower working pressures please refer to the COMPARATIVE CHARTS (for different part numbers: e.g. PP205STW00 please refer to the equivalent part number PG205STW00 for threaded connection)

2/2 WAY PISTON ACTUATED VALVE, CLAMP - STAINLESS STEEL

VALVE	body connection	DN	flow rate Kvs	working pressure [®]		flow direction	pilot pressure [®]		actuator Ø	function		
				min.	max.		min.	max.				
code	—	[mm]	[l/min]	[barg]	[barg]	—	[barg]	[barg]	[mm]	—		
PC205CTW00	clamp to ISO 2852	15	65	0	10	1 → 2	3.8	10	45	NC		
PC206CTX00		20	120	0	10	1 → 2	5.8	10				
PC205STW00		15	85	0	10	1 → 2	3.7	10				
PC206STX00		20	160	0	10	1 → 2	4.4	10	63			
PC207STY00		25	260	0	10	1 → 2	5.9	10				
PC208STZ00		32	420	0	10	1 → 2	9	10				
PC209STK00		40	700	0	10	1 → 2	9	10	90			
PC210STJ00		50	810	0	10	1 → 2	8	10				
PC207LTY00		25	260	0	10	1 → 2	2	8				
PC208LTZ00		32	420	0	10	1 → 2	3.5	8				
PC209LTK00		40	700	0	10	1 → 2	4	8				
PC210LTJ00		50	810	0	10	1 → 2	6.5	8				
RPC205CTW00		clamp to ISO 2852	15	65	0	10	2 → 1	4	10		45	NO
RPC206CTX00	20		120	0	10	2 → 1	6.2	10				
RPC205STW00	15		85	0	10	2 → 1	2.5	10				
RPC206STX00	20		160	0	10	2 → 1	4.3	10	63			
RPC207STY00	25		260	0	10	2 → 1	5.5	10				
RPC208STZ00	32		420	0	10	2 → 1	6.5	10				
RPC209STK00	40		700	0	10	2 → 1	9	10	90			
RPC210STJ00	50		810	0	10	2 → 1	9.4	10				
RPC207LTY00	25		260	0	10	2 → 1	3	8				
RPC208LTZ00	32		420	0	10	2 → 1	4	8				
RPC209LTK00	40		700	0	10	2 → 1	5	8				
RPC210LTJ00	50		810	0	10	2 → 1	7	8				
BPC205CTW00	clamp to ISO 2852		15	65	0	10 / 10	1 → 2 / 2 → 1	6.2 / 5	10	45	NC bidirectional	
BPC206CTX00		20	120	0	10 / 7	1 → 2 / 2 → 1	8.7 / 5	10				
BPC205STW00		15	85	0	10 / 10	1 → 2 / 2 → 1	5.5 / 3.8	10				
BPC206STX00		20	160	0	10 / 10	1 → 2 / 2 → 1	6 / 3.8	10	63			
BPC207STY00		25	260	0	10 / 10	1 → 2 / 2 → 1	6.5 / 3.8	10				
BPC208STZ00		32	420	0	10 / 6	1 → 2 / 2 → 1	6.8 / 3.8	10				
BPC209STK00		40	700	0	10 / 4	1 → 2 / 2 → 1	9 / 3.8	10	90			
BPC210STJ00		50	810	0	8 / 2.5	1 → 2 / 2 → 1	9 / 3.8	10				
BPC207LTY00		25	260	0	10 / 10	1 → 2 / 2 → 1	4 / 3.3	8				
BPC208LTZ00		32	420	0	10 / 10	1 → 2 / 2 → 1	5 / 3.3	8				
BPC209LTK00		40	700	0	10 / 8	1 → 2 / 2 → 1	6 / 3.3	8				
BPC210LTJ00		50	810	0	10 / 6	1 → 2 / 2 → 1	8 / 3.3	8				
PP205CTW00		clamp to ASME BPE	15	50	0	10	1 → 2	3.8	10	45		NC
PP206CTX00	20		120	0	10	1 → 2	5.8	10				
PP205STW00	15		50	0	10	1 → 2	3.7	10				
PP206STX00	20		135	0	10	1 → 2	4.4	10	63			
PP207STY00	25		250	0	10	1 → 2	5	10				
PP209STK00	40		640	0	10	1 → 2	9	10				
PP210STJ00	50		730	0	10	1 → 2	8	10	90			
PP207LTY00	25		250	0	10	1 → 2	2	8				
PP209LTK00	40		640	0	10	1 → 2	4	8				
PP210LTJ00	50		730	0	10	1 → 2	6.5	8				
RPP205CTW00	clamp to ASME BPE		15	50	0	10	2 → 1	4		10	45	
RPP206CTX00			20	120	0	10	2 → 1	6.2	10			
RPP205STW00			15	50	0	10	2 → 1	2.5	10			
RPP206STX00		20	135	0	10	2 → 1	4.3	10	63			
RPP207STY00		25	250	0	10	2 → 1	5.5	10				
RPP209STK00		40	640	0	10	2 → 1	9	10				
RPP210STJ00		50	730	0	10	2 → 1	9.4	10	90			
RPP207LTY00		25	250	0	10	2 → 1	2	8				
RPP209LTK00		40	640	0	10	2 → 1	5	8				
RPP210LTJ00		50	730	0	10	2 → 1	7	8				
BPP205CTW00		clamp to ASME BPE	15	50	0	10 / 10	1 → 2 / 2 → 1	6.2 / 5		10	45	NC bidirectional
BPP206CTX00			20	120	0	10 / 7	1 → 2 / 2 → 1	8.7 / 5	10			
BPP205STW00			15	50	0	10 / 10	1 → 2 / 2 → 1	5.5 / 3.8	10			
BPP206STX00	20		135	0	10 / 10	1 → 2 / 2 → 1	6 / 3.8	10	63			
BPP207STY00	25		250	0	10 / 10	1 → 2 / 2 → 1	6.5 / 3.8	10				
BPP209STK00	40		640	0	10 / 4	1 → 2 / 2 → 1	9 / 3.8	10				
BPP210STJ00	50		730	0	8 / 2.5	1 → 2 / 2 → 1	9 / 3.8	10	90			
BPP207LTY00	25		250	0	10 / 10	1 → 2 / 2 → 1	4 / 3.3	8				
BPP209LTK00	40		640	0	10 / 8	1 → 2 / 2 → 1	6 / 3.3	8				
BPP210LTJ00	50		730	0	10 / 6	1 → 2 / 2 → 1	8 / 3.3	8				