

TECHNICAL SPECIFICATIONS

Media: water, oil, air, aggressive media, steam^①

Media temperature: -10°C ÷ +180°C

Ambient temperature: -10°C ÷ +60°C

Pilot media^②: instrument air, inert gases

Body material: cast AISI 316L (CF3M), see Piston Actuated Valves Catalogue

Bonnet material: cast AISI 316L (CF3M), see Piston Actuated Valves Catalogue

Actuator body material: Polyamide PA6 (reinforced fiberglass 30%)

Seal material: PTFE

Position indicator as standard

BENEFITS

Waterhammer-free design for **BPG - DPG** (with flow direction 2 → 1)

Actuator housing rotation 360°

Design for vacuum applications up to 10⁻² mbar

OPTIONS

NPT connection (e.g. code PN205CTW00)

ACCESSORIES

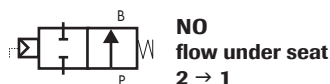
Position module (see TIS *1806*), travel switch kit (see TIS *1802*), pilot solenoid valves (see TIS *0714*)



TYPE: PG



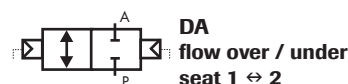
TYPE: RPG



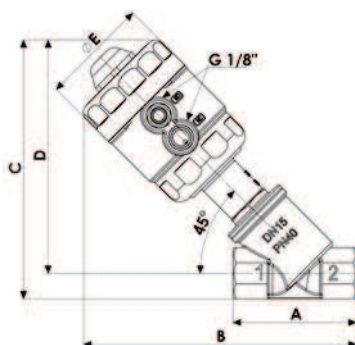
TYPE: BPG



TYPE: DPG



DIMENSIONS & WEIGHTS		DN15	DN20
actuator	[mm]	Ø 45	
A	[mm]	65	75
B	[mm]	144	149
C	[mm]	136	142
D	[mm]	123	126
E	[mm]	57	57
weight	[kg]	0.8	0.9



The products listed below comply with the requirements of the European Pressure Equipment Directive 97/23/EC and carry the CE mark when required. The products fall within the following Pressure Equipment Directive categories:

Bodies	Group 1 gases	Group 1 liquids and Group 2 other fluids
DN15 ÷ DN20 (PN40)	SEP	SEP

WARNING !

According to the European Pressure Equipment Directive 97/23/EC, liquids whose saturated vapour pressure at the maximum allowable temperature is more than 0,5 barg shall be considered as gases.

VALVE	body connection	DN	flow rate Kvs	working pressure ^①		flow direction	pilot pressure ^③		actuator Ø	function
				min.	max.		min.	max.		
code	[ISO 228G]	[mm]	[l/min]	[barg]	[barg]	—	[barg]	[barg]	[mm]	—
PG205CTW00	1/2"	15	75	0	16	1 → 2	3.8	10	45	NC
PG206CTX00	3/4"	20	133	0	16	1 → 2	5.8	10		
RPG205CTW00	1/2"	15	75	0	16	2 → 1	4	10	45	NO
RPG206CTX00	3/4"	20	133	0	16	2 → 1	6.2	10		
BPG205CTW00	1/2"	15	75	0	16 / 16	1 → 2 / 2 → 1	6.2 / 5	10	45	NC bidirectional
BPG206CTX00	3/4"	20	133	0	16 / 7	1 → 2 / 2 → 1	8.7 / 5	10		
DPG205CTW00	1/2"	15	75	0	16 / 16	1 ↔ 2	3	10	45	DA
DPG206CTX00	3/4"	20	133	0	16 / 16	1 ↔ 2	5	10		

NOTES

① Steam max. working pressure 10 bar (9 barg)

② Please contact M&M sales Department for other pilot media

③ Minimum pilot pressure at the max. working pressure: for lower working pressures please refer to the COMPARATIVE CHARTS